

bourdon tube test gauges "solid-front", class 0,25% DS 6" (150mm)



These instruments have been designed for laboratories, instrument testing or recalibration facilities and in other applications where accuracy and repeatability are of primary importance. These instruments are provided with a solid separating wall in stainless steel, placed between the dial and the elastic element and with a blow out back that is released when leaks occur or the elastic element is damaged and pressure is produced inside the case. They can be used with fluids or gasses that do not have high viscosity and do not crystallize. The wetted parts in beryllium copper permit a better accuracy. The calibration certificate issued by a laboratory officially recognized by ACCREDIA (Ex S.I.T. - Italian Calibration Service) is available upon request.

1.17.1 - Standard Model

Design: EN837-1.

Safety designation: S3 as per EN 837-2.

Accuracy class: 0,25 as per EN 837-1.

Ambient temperature: +59...+149 °F (+15...+65 °C).

Process fluid temperature: +149°F (max +65 °C).

Calibration temperature: 68°F (+20 °C).

Thermal drift: ±0,1 %/10 K of range (starting from 68°F - 20°C).

Working pressure: max 75% of FSV.

Overpressure limit:

25% of FSV for ranges ≤ 1000 psi (60 bar).

15% of FSV for ranges ≥ 1500 psi (100 bar).

Protection degree: IP 55 as per IEC 529.

Socket material: AISI 316L st.st.

Bourdon tube: beryllium copper alloy.

Case: stainless steel.

Ring: stainless steel, bayonet lock.

Blow out disk: stainless steel.

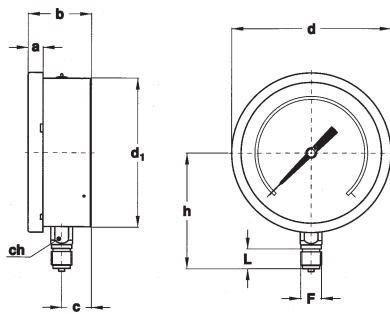
Window: safety glass.

Movement: high precision type, horology alloy.

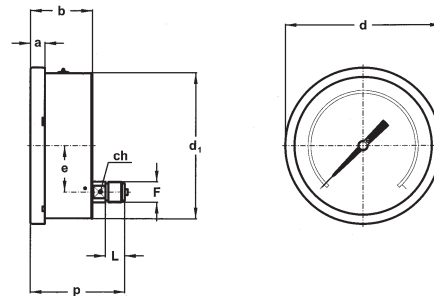
Dial: aluminium, green with black markings and anti-parallax mirror band.

Pointer: adjustable, aluminium, black, knife-edge.

RANGE	Minor graduation	Figure interval	bar	kPa	MPa	psi
-1... 0	0,005	0,10	◆			
0... 0,6	0,002	0,05	◆		◆	
0...1	0,005	0,1	◆		◆	
0...1,6	0,005	0,1	◆		◆	
0...2,5	0,01	0,1	◆		◆	
0...4	0,02	0,2	◆		◆	
0...6	0,02	0,5	◆		◆	
0...10	0,05	1	◆		◆	◆
0...16	0,05	1	◆		◆	◆
0...25	0,1	1	◆		◆	
0...30	0,1	2			◆	◆
0...40	0,2	2	◆		◆	
0...60	0,2	5	◆	◆	◆	◆
0...100	0,5	10	◆	◆	◆	◆
0...160	0,5	10	◆	◆		◆
0...250	1	10	◆	◆		
0...300	1	20	◆	◆		◆
0...400	2	20	◆	◆		◆
0...600	2	50	◆	◆		◆
0...1000	5	100	◆			◆
0...2000	10	100				◆
0...3000	10	200				◆
0...4000	20	200				◆
0...6000	20	500				◆
0...10000	50	1000				◆
0...15000	50	1000				◆



A - LOWER CONNECTION



D - BACK CONNECTION

Mounting	F	a	b	c	ch	d	d ₁	e	h	p	L	Weight
Lower	41M - G 1/2 A	0.59"	2.51"	1.14"	0.94"	6.33"	5.92"		4.64"		0.78"	2.62 lbs
	43M - 1/2-14 NPT	(15)	(64)	(29)	(24)	(161)	(150,5)		(118)		(20)	(1,19 kg)
Back	41M - G 1/2 A	0.59"	2.51"		0.66"	6.33"	5.92"	1.88"		3.83"	0.78"	2.42 lbs
	43M - 1/2-14 NPT	(15)	(64)		(17)	(161)	(150,5)	(47,8)		(97,5)	(20)	(1,10 kg)

dimensions : inches (mm)

OPTIONS

C -	Back flange, for lower connection pressure gauges
E -	Front flange, for back connection pressure gauges
P02 -	Oxygen service
CE1 -	ACCREDIA certificate (pressure gauges)
CE3 -	ACCREDIA certificate (vacuum gauges)

PRESSURE GAUGE HOLDER CASE



Instruments with lower connection can be delivered with pressure gauge holder case, code **5VAL**.

"HOW TO ORDER" SEQUENCE

Section / Model / Case / Mounting / Diameter / Range / Process connection / Options
1 17 1 A G 41M C...E
D 43M P02...CE3