

TMG250 SERIES - METALLIC FLOWMETERS

TECHNICAL FEATURES

- Measuring tube in AISI 316
- Float and wetted parts in AISI 316
- Magnetic of reading transmission
- Aluminium housing IP 66
- Vertical mounting with rising flow
- Measuring range: 1/10 - scale ~ 100 mm.
- Accuracy: $\pm 1,5\%$ full scale value
- Connections:
 - flanged ANSI 150 RF - UNI PN 16
 - threaded DIN 11851 (for food industry)
 - threaded GAS-F / NPT-F
 - TRI-CLAMP BS 4825 (other standard on request)

OPERATING CONDITIONS

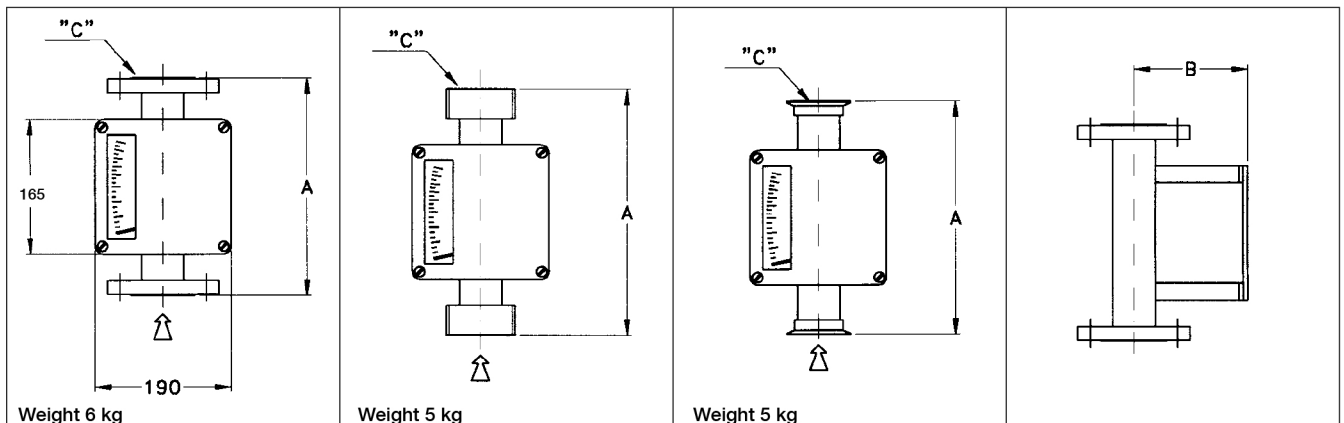
- Max pressure 40 Bar
- Max temperature 180°C
- Max temperature with self-regulator 140°C

OPTIONS - ACCESSORIES

- Version for high pressure and temperature
- Electronic transmitter 4-20 mA
- Intrinsically safety transmitter EEx ia IIC T6, 4-20 mA
- Min and/or max. contact SPDT, type Reed (30V dc/ac; 0,1 A)
- Min and/or max. contact SPDT, of inductive bistable type
- Electrical connection PG 11
- Heating jacket for flanged version (connections 1/2 NPT-F)
- Housing in AISI 316
- Housing with electrical protection ATEX II 2 GD Exd IIC T6
- Standard power supply or EEx ia IIC T6 (110V ac / 220V ac)



- Self-regulator in input or output for gas with connections:
 - 1/4" up to 3 Nmc/h
 - 1/2" up to 20 Nmc/h
 - Self-regulator in input (RE), is used with variable pressure in input and constant in output (this last value has to be used in the calculation).
 - Self-regulator in output (RU), is used with variable pressure in output and constant in input (this last value has to be used in the calculation).



DIMENSIONS SCHEDULE

Connection range can change depending on the execution

DN BODY	B (mm)	FLANGED			TRI - CLAMP		DIN (FOR FOOD INDUSTRY)	
		A (mm)	C		A (mm)	C ø connection (mm)	A (mm)	C ø connection (mm)
			ANSI	UNI				
1/2"	125	250	1/2"	15	250	50,4	265	52 x 1/6
1"	130	250	1"	25	250	50,4	265	65 x 1/6
2"	150 (n1)	250	2"	50	250	90,9	265	95 x 1/6
3"	160	250	3"	80	250	155	275	130 x 1/4
4"	180	250	4"*	100*	-	-	340	130 x 1/4

* 5" or DN 125 with heating jacket - (n1) 160 mm. for version of 25 m³ /h

The threaded connection GAS and NPT have the same DN of the body.



FLOW RANGE SCHEDULE

DN BODY	CODE	FLOW RANGE OF H ₂ O sg= 1 cps= 1 (l/h)	CODE	FLOW RANGE OF AIR (Nm ³ /h)	Max PD mbar
1/2"	A01	2,5 - 25	B01	0,08 - 0.8	50
1/2"	A02	4 - 40	B02	0,12 - 1.2	55
1/2"	A03	6,3 - 63	B03	0,2 - 2	55
1/2"	A04	10 - 100	B04	0,3 - 3	35
1/2"	A05	16 - 160	B05	0,5 - 5	35
1/2"	A06	25 - 250	B06	0,75 - 7.5	35
1/2"	A07	40 - 400	B07	1,2 - 12	30
1/2"	A08	63 - 630	B08	2 - 20	30
1/2"	A09	100 - 1.000	B09	3 - 30	35
1"	A10	100 - 1.000	B10	3 - 30	40
1"	A11	160 - 1.600	B11	5 - 50	40
1"	A12	250 - 2.500	B12	7,5 - 75	45
1"	A13	400 - 4.000	B13	12 - 120	45
1"	A14	600 - 6.000	-	-	75
2"	A15	630 - 6.300	B15	20 - 200	45
2"	A16	1.000 - 10.000	B16	30 - 300	40
2"	A17	1.600 - 16.000	B17	50 - 500	40
2"	A18	2.500 - 25.000	-	-	45
3"	A19	2.500 - 25.000	B19	75 - 750	45
3"	A20	4.000 - 40.000	B20	120 - 1.200	45
3"	A21	6.300 - 63.000	-	-	80
4"	A22	6.300 - 63.000	-	-	70
4"	A23	10.000 - 100.000	-	-	100

HOW TO ORDER

Example: TMG250 - A - 15 - A09 - TO - RPJE - XX

TMG250 model

A connections ANSI
 U connections UNI
 D DIN connections for food industry
 T Tri-Clamp connections
 G Threaded GAS-F
 N Threaded NPT-F

15 dn 15 or 1/2"
 25 dn 25 or 1"
 50 dn 50 or 2"
 80 dn 80 or 3"
 100 dn 100 or 4"
 125 dn 125 or 5"

A09 low range 100 - 1000 l/h of H₂O

TF Trasmitter Fieldbus
 TP Trasmitter Profibus
 T0 without transmitter and contacts
 T1 Std. transmitter 4-20 mA
 T2 Transmitter EExi
 T3 Transmitter HART ®
 T4 Transmitter HART® EExi
 C1 no. 1 contact Reed type
 C2 no. 2 contacts Reed type
 C3 no. 1 inductive bistable contact
 C4 no. 2 inductive bistable contacts
 RPJE self-regulator 1/4" ss 316 in input
 RGJE self-regulator 1/2" ss 316 in input
 RPJU self-regulator 1/4" ss 316 in output
 RGJU self-regulator 1/2" ss 316 in output
 XX speciality to be described separately
 (ex. housing in inox)

In case of fluid different from water please specify the type of fluid precising: specific gravity, viscosity, temperature, pressure, at the operating conditions.



OFFICINE OROBICHE srl

24010 Ponterranica (Bergamo) ITALY - via Serena, 10 - Tel. 0039.035.4530.211
 www.officineorobiche.it e-mail: info@officineorobiche.it

Information subject to change without prior warning