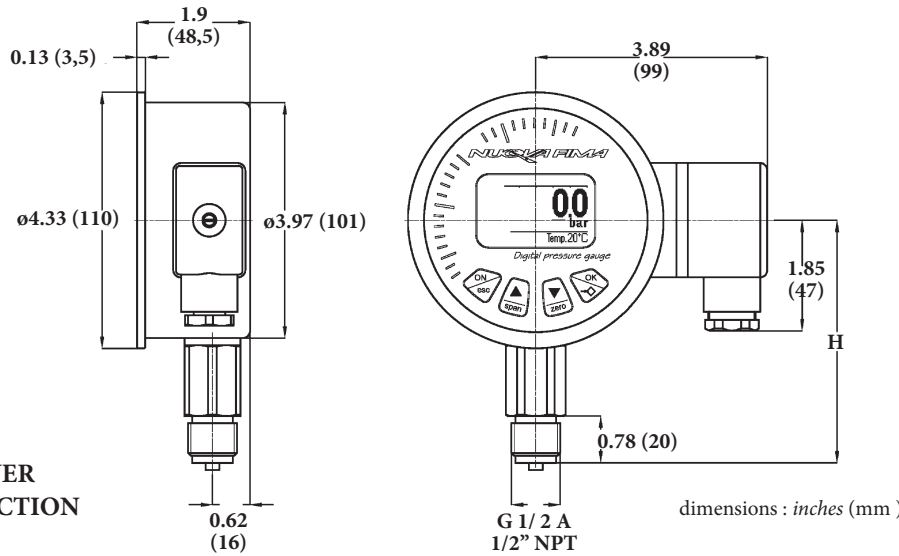


multifunction digital pressure instrument: gauge, transmitter, switch

SDM 18



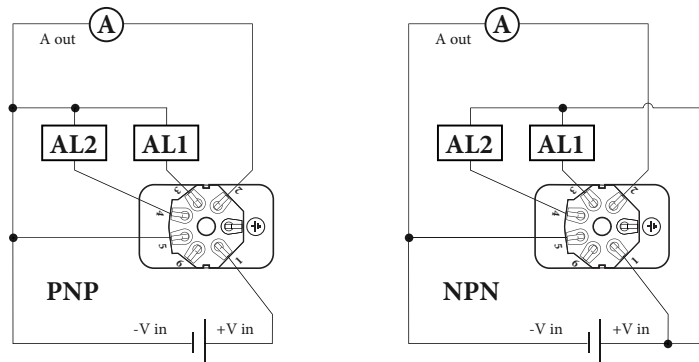
Pn (bar)	H
≤ 100	4.13" (105)
> 100	4.29" (109)

A - LOWER CONNECTION

Output signal	4...20 mA
N. wires	3
Load (Ohm)	$R_L \leq (V_{in} - 11) / 0,02$
Supply: +V _{in}	11...30
Ground	(pls. refer to Installation Manual)

Alarms	2
Type: programmable	PNP, NPN
Max output current: I _{out} (1)	100 mA
Min. load (Ohm)	$R_{Lm} \geq (V_{in} - 1) / I_{out}$
Supply: +V _{in}	11...30

(1) max value current 0,6 A available on request, NPN or PNP type for both alarms



OPTIONS

CRP - CR gasket, for pressure ranges ≤ 1500 psi (100 bar); process fluid temperature: -40...+176 °F (-40...+85°C)
EPD - EPDM gasket, for pressure ranges ≤ 1500 psi (100 bar); process fluid temperature: +5...+212 °F (-40...+100°C)
FPM - VITON gasket, for pressure ranges ≤ 6000 psi (400 bar); process fluid temperature: -40...+212 °F (-15...+100°C)
NBR - NBR gasket; process fluid temperature: -13...+176 °F (-25...+85°C)
NP2 - Nr. 2 NPN alarms with 0,6A output current
PN2 - Nr. 2 PNP alarms with 0,6A output current

“HOW TO ORDER” SEQUENCE

Section / Model / Case / Mounting / Diameter / Range / Process connection / Output signal / Gasket / Options

8 D18 1 A E - DN100 41M - G 1/2 A A CRP NP2
43M - 1/2" NPT EPD PN2
FPM
NBR

Copyright © Nuova Fima srl. All rights reserved. Any part of this publication should not be reproduced without a written Nuova Fima's srl approval

NUOVA FIMA USA Inc.
www.nuovafima.com - e-mail: infousa@nuovafima.com
4123 Hollister, Suite G - TX 77080 Houston
TEL. +1 713.690.9800 - FAX +1 713.690.9803

-2-

NUOVA FIMA srl
www.nuovafima.com - e-mail: info@nuovafima.com
P.O. BOX 58 - VIA C. BATTISTI 59 - 28045 INVORIO (NO) ITALY
TEL. +39 0322 253200 - FAX +39 0322 253232

