

diaphragm pressure gauge DS 4", 6" -150mm) flanged connection



PED 2014/68/EU

The sensing element is an elastic diaphragm, with concentric corrugations that drives the amplifying movement through a ball- joint. They are designed to measure pressure or vacuum of viscous, sedimentous, crystallisable or corrosive fluids. Compared to the bourdon tube system they are most robust and are better able to withstand overpressure or aggressive fluids.

2.42.1 - MN12/18

Designation: EN 837-3.

Ranges: from 0...10 IN WC to 0...360 psi (from 0...25 mbar to 0...25 bar), vacuum and combined vacuum/pressure (or equivalent units).

Accuracy class: 1,6 as per EN 837-3.

Ambient temperature: -13...+149°F (-25...+65 °C.)

Process fluid temperature: +212°F (max. +100 °C).

Working pressure: max 75% of FSV.

Overpressure limit: 25% of FSV.

Thermal drift: ± 0,6% every ± 50°F (± 10° C) of ambient temperature

Protection degree: IP 55 as per EN 60529/IEC 529.

Socket material: AISI 316L st.st.

Elastic element: AISI 316 Ti st.st. diaphragm.

Gasket: PTFE.

Case: stainless steel.

Ring: stainless steel, bayonet lock.

Window: tempered glass.

Movement: stainless steel.

Dial: aluminium, white with black markings

Pointer: aluminium, micrometric adjustable.

Special version:

high overpressure : 10 time the FSV but not over 30 psi (2 bar) for pressure ranges from 0...10 INWC to 0...6 psi (25...400 mbar); 5 time the FSV but not over 600 psi (40 bar), for pressure ranges 10...360 psi (0,6...25 bar).

2.45.1 - MN12/18/T

Socket material: AISI 316L st.st., PTFE coated.

Elastic element: AISI 316 Ti st.st. diaphragm, PTFE coated.

Other features as model MN12/18/F.

OPTIONS

Model		MN12/18	MN12/18/T
Electric contacts for pressure ranges ≥ 25 INWC (60 mbar) (1)	(1)	◆	◆
C40 - Case and ring AISI316L st.st.		◆	◆
E65 - Protection degree IP 65 as per IEC 529	(4)	◆	◆
L22 - Maximum pointer Wiebrock	(4)	◆	◆
M23 - Monel 400 protection diaphragm		◆	◆
M22 - Hastelloy C protection diaphragm		◆	◆
M29 - Tantalum protection diaphragm		◆	◆
M26 - PTFE diaphragm protection		◆	◆
P02 - Degreasing for oxygen use		◆	◆
R10 - Glycerine filling +32...+149°F (0...+65 °C)	(2) (3) (4)	◆	◆
R11 - Silicon oil Silicon oil filling -40...+149°F (-40...+65 °C)	(2) (3) (4)	◆	◆
T01 - Tropicalization		◆	◆
T32 - Safety glass window	(4)	◆	◆

(1) Codes, description and wiring on data sheet MN14.

(2) For pressure ranges ≥ 10 psi (600 mbar) only.

(3) Accuracy class 2,5 as per EN 837-3.

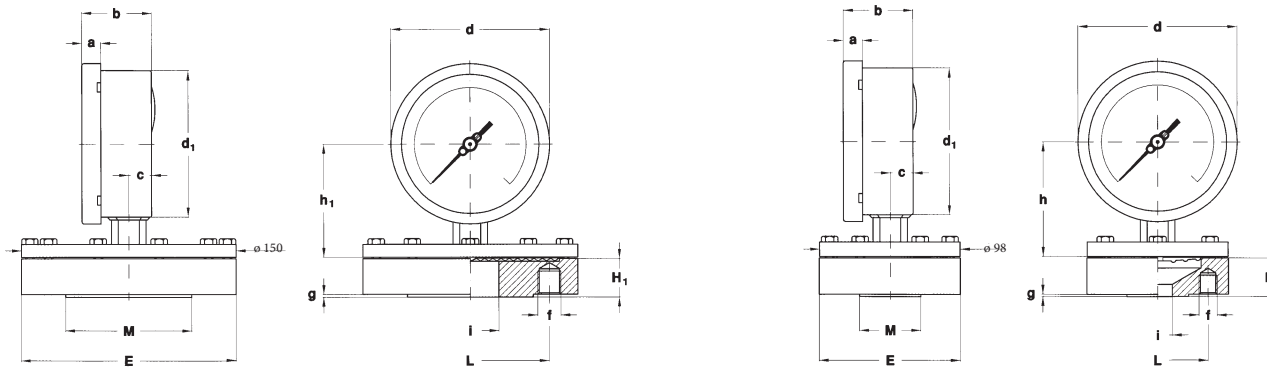
(4) Not available with electric contacts

diaphragm pressure gauge

DS 4", 6" (100-150mm), flanged connection

MN12/18

RC5 - 03/14



0...10 INWC to 0...6 psi

A - LOWER CONNECTION

10...360 psi

UNI - DIN STANDARDS

dimensions : mm

DN (1)	PN	Code	H	H ₁	E	M	I	g	L	f	N (2)
15	6	OO0	34	27	80	40	15	2	55	M10	4
15	10...16	OQ0	27	27	95	45	15	2	65	M12	4
15	25...40	OS0	27	27	95	45	15	2	65	M12	4
20	6	PO0	34	27	90	50	20	2	65	M10	4
20	10...16	PQ0	27	27	105	58	20	2	75	M12	4
20	25...40	PS0	27	27	105	58	20	2	75	M12	4
25	6	QO0	27	27	100	60	25	2	75	M10	4
25	10...16	QQ0	27	27	115	68	25	2	85	M12	4
25	25...40	QS0	27	27	115	68	25	2	85	M12	4

(1) DN 40, 50 also available

(2) N° threaded holes.

ANSI STANDARDS

dimensions : inches

DN (1)	Classe	Code	H	H ₁	E	M	I	g	L	f	N (2)
1/2"	150	4AA	1.33	1.06	3.54	1.37	0.59	0.08	2.37	1/2" 13UNC	4
1/2"	300	4BA	1.06	1.06	3.74	1.37	0.59	0.08	2.62	1/2" 13UNC	4
1/2"	600	4DA	1.90	1.06	3.74	1.37	0.59	0.27	2.62	1/2" 13UNC	4
3/4"	150	5AA	1.06	1.06	4.33	1.68	0.78	0.08	2.75	1/2" 13UNC	4
3/4"	300	5BA	1.49	1.06	4.53	1.68	0.78	0.08	3.25	5/8" 11UNC	4
3/4"	600	5DA	1.90	1.06	4.53	1.68	0.78	0.27	3.25	5/8" 11UNC	4
1"	150	6AA	1.06	1.06	4.33	2	0.98	0.08	3.12	1/2" 13UNC	4
1"	300	6BA	1.49	1.10	4.92	2	0.98	0.08	3.50	5/8" 11UNC	4
1"	600	6DA	1.90	1.10	4.92	2	0.98	0.27	3.50	5/8" 11UNC	4

(1) 1" 1/2, 2" also available

(2) N° threaded holes.

"HOW TO ORDER" SEQUENCE

Section / Model / Case / Mounting / Diameter / Range / Process connection / Options
2 42 I A E OO0...6DA C40...T32
45 G

Copyright © Nuova Fima srl. All rights reserved. Any part of this publication should not be reproduced without a written Nuova Fima's srl approval

NUOVA FIMA USA Inc.
 www.nuovafima.com - e-mail: infousa@nuovafima.com
 4123 Hollister, Suite G - TX 77080 Houston
 TEL. +1 713.690.9800 - FAX +1 713.690.9803

-2-

NUOVA FIMA srl
 www.nuovafima.com - e-mail: info@nuovafima.com
 P.O. BOX 58 - VIA C. BATTISTI 59 - 28045 INVORIO (NO) ITALY
 TEL. +39 0322 253200 - FAX +39 0322 253232



IN ORDER TO IMPROVE THEIR PRODUCTION, MESSRS. NUOVA FIMA RESERVE THE RIGHT TO THEMSELVES TO MAKE ALL THE MODIFICATIONS THAT THEY DEEM INDISPENSABLE AT ANY TIME. UPDATED DATA-SHEETS ARE AVAILABLE ON SITE: www.nuovafima.com